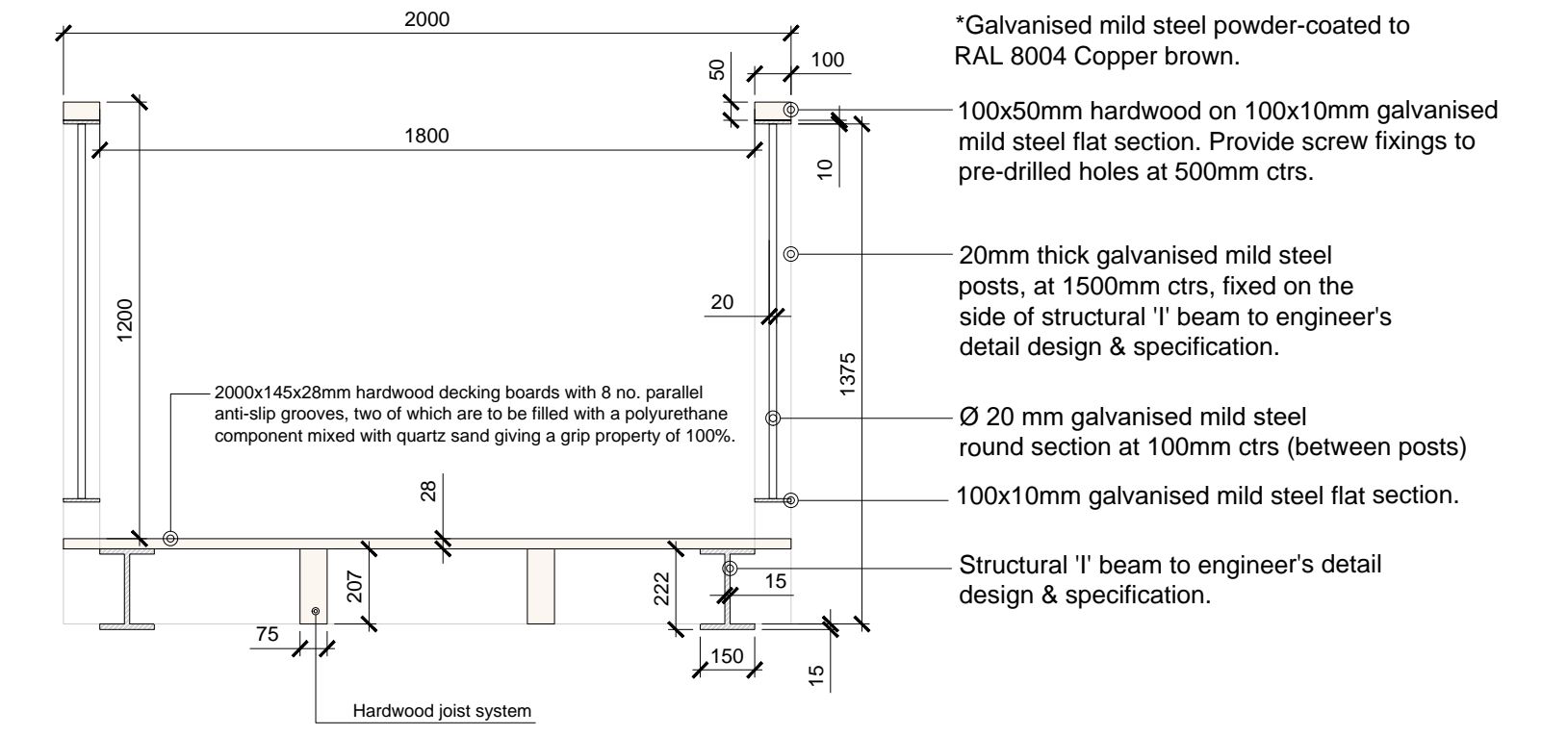
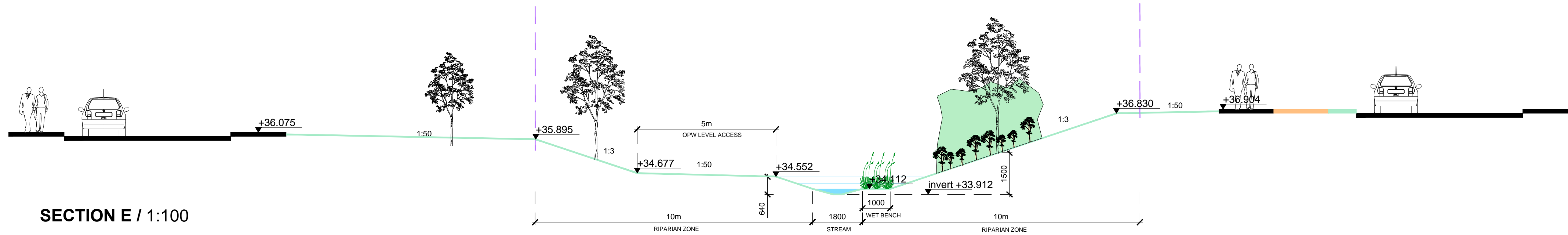


STREAM TYPICAL DETAIL / 1:50

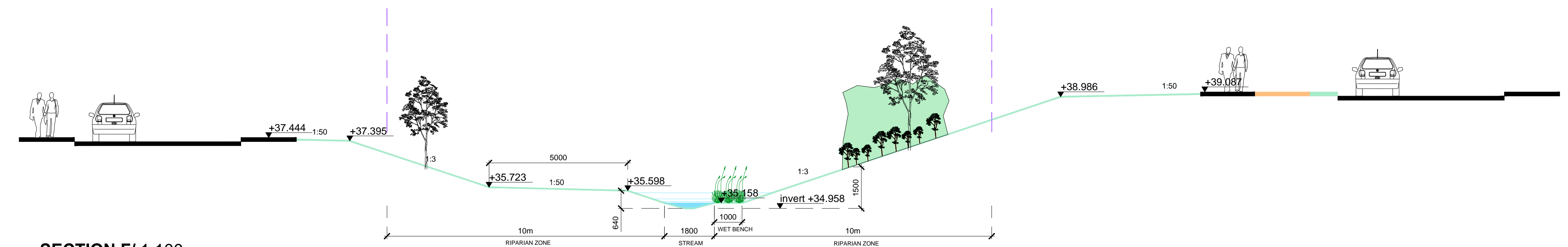
*Fisheries compliant watercourse with a low flow channel, pools, riffles and glides. (The in-stream biodiversity enhancement measures are subject to further fine resolution detailed design with IFI)



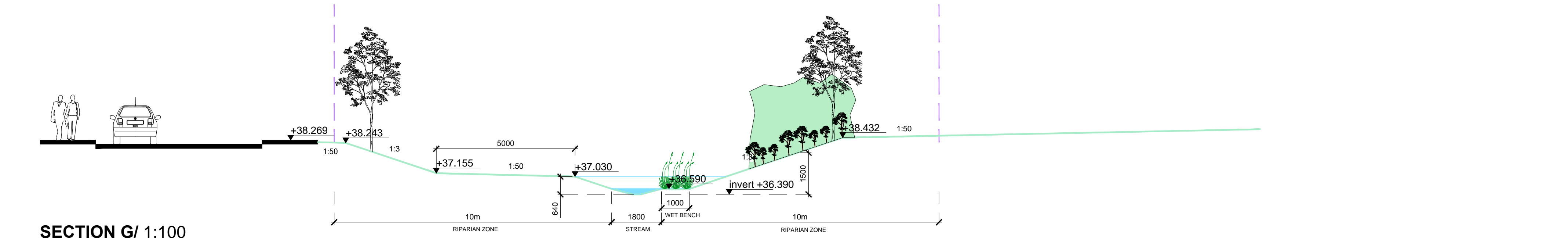
PEDESTRIAN BRIDGE SECTION DETAIL / 1:20



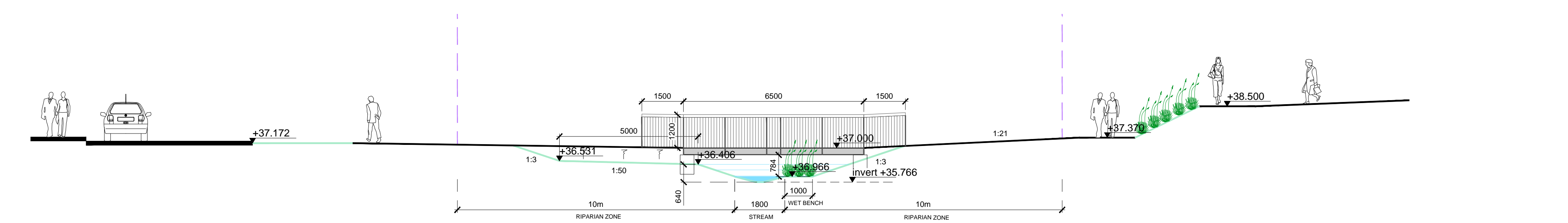
SECTION E / 1:100



SECTION F / 1:100



SECTION G / 1:100



SECTION H / 1:100



KEY PLAN

STEPHEN DIAMOND ASSOCIATES
CHARTERED LANDSCAPE ARCHITECTS

68 Pearse Street Dublin 2 tel: 01 6775670
email: mail@sda.ie fax: 01 6775669

Client **The Ardee Partnership**

Project Residential Dev at Bridgegate, Rathgory & Mulladrillen, Ardee

Title **Stream Sections** Date Issued 2021-10-19

Dwg No 20-547-SDA-PD-DR-201 Scale 1:100 @ A1

Drawn LP Purpose Planning Checked SD